

TS8GSSD25S-S
TS16GSSD25S-S/M
TS32GSSD25S-S/M
TS64GSSD25S-S/M
TS128GSSD25S-M
TS192GSSD25S-M

2.5" Solid State Disk

Description

Due to smaller size (fit the standard dimensions of 2.5" SATA Hard Disk Drives), huge capacity, high speed, and low power consumption, Solid State Disk is perfect replacement storage device for PCs, Laptops, gaming systems, and handheld devices.

Placement



Features

- RoHS compliant
- Fully compatible with devices and OS that support the SATA II 3.0Gbps standard
- Non-volatile Flash Memory for outstanding data retention
- Built-in ECC (Error Correction Code) functionality and wear-leveling algorithm ensures highly reliable of data transfer
- Shock resistance

Dimensions

Side	Millimeters	Inches
A	100.00 ± 0.40	3.937 ± 0.016
B	69.85 ± 0.20	2.750 ± 0.008
C	9.50 ± 0.15	0.374 ± 0.004

TS8GSSD25S-S
TS16GSSD25S-S/M
TS32GSSD25S-S/M
TS64GSSD25S-S/M
TS128GSSD25S-M
TS192GSSD25S-M

2.5" Solid State Disk

Specifications

Physical Specification		
Form Factor		2.5-inch HDD
Storage Capacities		8 GB to 192 GB
Dimensions (mm)	Length	100.0 0 ± 0.40
	Width	69.85 ± 0.20
	Height	9.50 ± 0.15
Input Voltage		5V ± 5%
Weight		55g ± 5g
Connector		SATA 7+15 pins combo connector

Environmental Specifications	
Operating Temperature	0 °C to 70 °C
Storage Temperature	- 40 °C to 85 °C

Power Requirements			
Input Voltage		5V ± 5% @25°C	
Mode		Max. (mA)	Max. (W)
Power Consumption (8/16/32/64GB)	Write _(peak)	476.1	2.4
	Read _(peak)	426.2	2.1
	Idle _(peak)	144.0	0.7
Power Consumption (128GB)	Write _(peak)	541.6	2.7
	Read _(peak)	461.2	2.3
	Idle _(peak)	142.1	0.7
Power Consumption (192GB)	Write _(peak)	573.3	2.9
	Read _(peak)	483.1	2.4
	Idle _(peak)	146.2	0.7

TS8GSSD25S-S
TS16GSSD25S-S/M
TS32GSSD25S-S/M
TS64GSSD25S-S/M
TS128GSSD25S-M
TS192GSSD25S-M

2.5" Solid State Disk

Performance		
Model P/N	Sequential Read_(Max.)	Sequential Write_(Max.)
TS8GSSD25S-S	150 MB/s	90 MB/s
TS16GSSD25S-M	150 MB/s	50 MB/s
TS16GSSD25S-S	150 MB/s	100 MB/s
TS32GSSD25S-M	150 MB/s	90 MB/s
TS32GSSD25S-S	150 MB/s	120 MB/s
TS64GSSD25S-M	150 MB/s	90 MB/s
TS64GSSD25S-S	170 MB/s	140 MB/s
TS128GSSD25S-M	150 MB/s	90 MB/s
TS192GSSD25S-M	150 MB/s	90 MB/s

Actual Capacity				
Model P/N	User Max. LBA	Cylinder	Head	Sector
TS8GSSD25S-S	15,621,984	15,498	16	63
TS16GSSD25S-M	31,277,056	16,383	16	63
TS16GSSD25S-S	31,277,056	16,383	16	63
TS32GSSD25S-M	62,586,880	16,383	16	63
TS32GSSD25S-S	62,586,880	16,383	16	63
TS64GSSD25S-M	125,206,528	16,383	16	63
TS64GSSD25S-S	125,206,528	16,383	16	63
TS128GSSD25S-M	250,445,824	16,383	16	63
TS192GSSD25S-M	375,685,120	16,383	16	63

TS8GSSD25S-S
TS16GSSD25S-S/M
TS32GSSD25S-S/M
TS64GSSD25S-S/M
TS128GSSD25S-M
TS192GSSD25S-M

2.5" Solid State Disk

Reliability	
Data Reliability	Supports BCH ECC 8 bits in 512 bytes
Data Retention	10 years
MTBF	1,000,000 hours

Vibration	
Operating	3.0G, 5 - 800Hz
Non-Operating	3.0G, 5 - 800Hz

* Note: Reference to the IEC 60068-2-6 Testing procedures; Operating-Sine wave, 5-800Hz/1 oct., 1.5mm, 3g, 0.5 hr./axis, total 1.5 hrs.

Shock	
Operating	1500G, 0.5ms
Non-Operating	1500G, 0.5ms

* Note: Reference to the IEC 60068-2-27 Testing procedures; Operating-Half-sine wave, 1500g, 0.5ms, 3 times/dir., total 18 times.

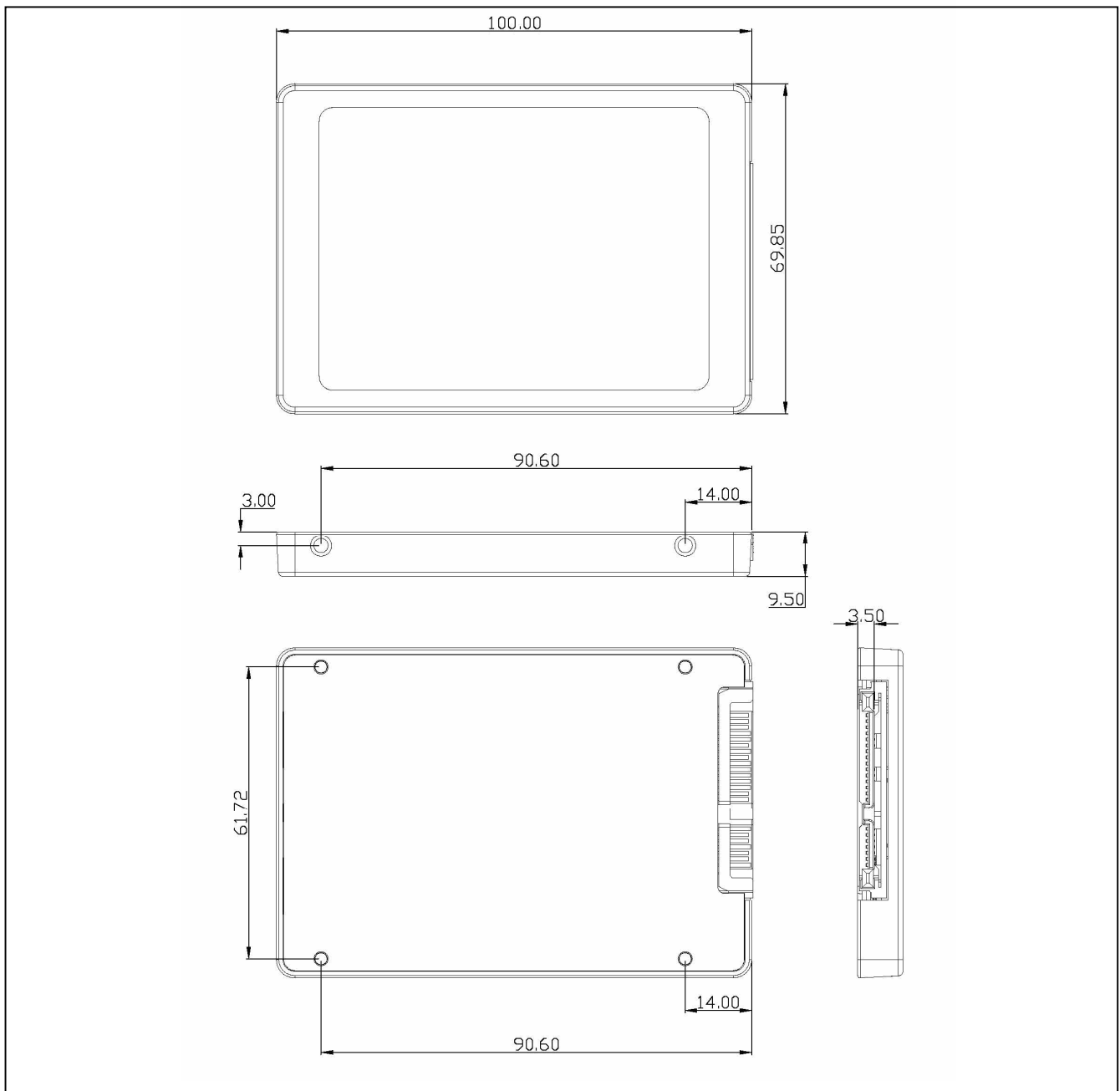
Regulations	
Compliance	CE, FCC and BSMI

TS8GSSD25S-S
TS16GSSD25S-S/M
TS32GSSD25S-S/M
TS64GSSD25S-S/M
TS128GSSD25S-M
TS192GSSD25S-M

2.5" Solid State Disk

Package Dimensions

Below figure illustrates the Transcend 2.5" SATA Solid State Disk. All dimensions are in mm.



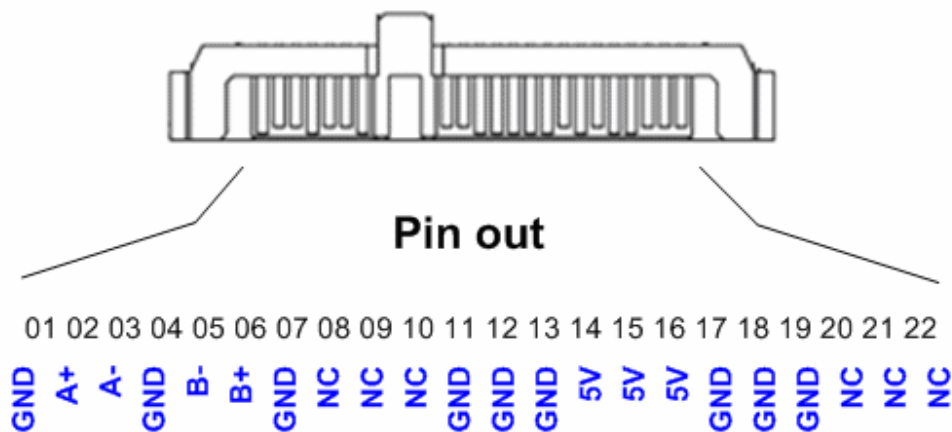
TS8GSSD25S-S
TS16GSSD25S-S/M
TS32GSSD25S-S/M
TS64GSSD25S-S/M
TS128GSSD25S-M
TS192GSSD25S-M

2.5" Solid State Disk

Pin Assignments

Pin No.	Pin Name	Pin No.	Pin Name
01	GND	02	A+
03	A-	04	GND
05	B-	06	B+
07	GND	08	NC
09	NC	10	NC
11	GND	12	GND
13	GND	14	5V
15	5V	16	5V
17	GND	18	GND
19	GND	20	NC
21	NC	22	NC

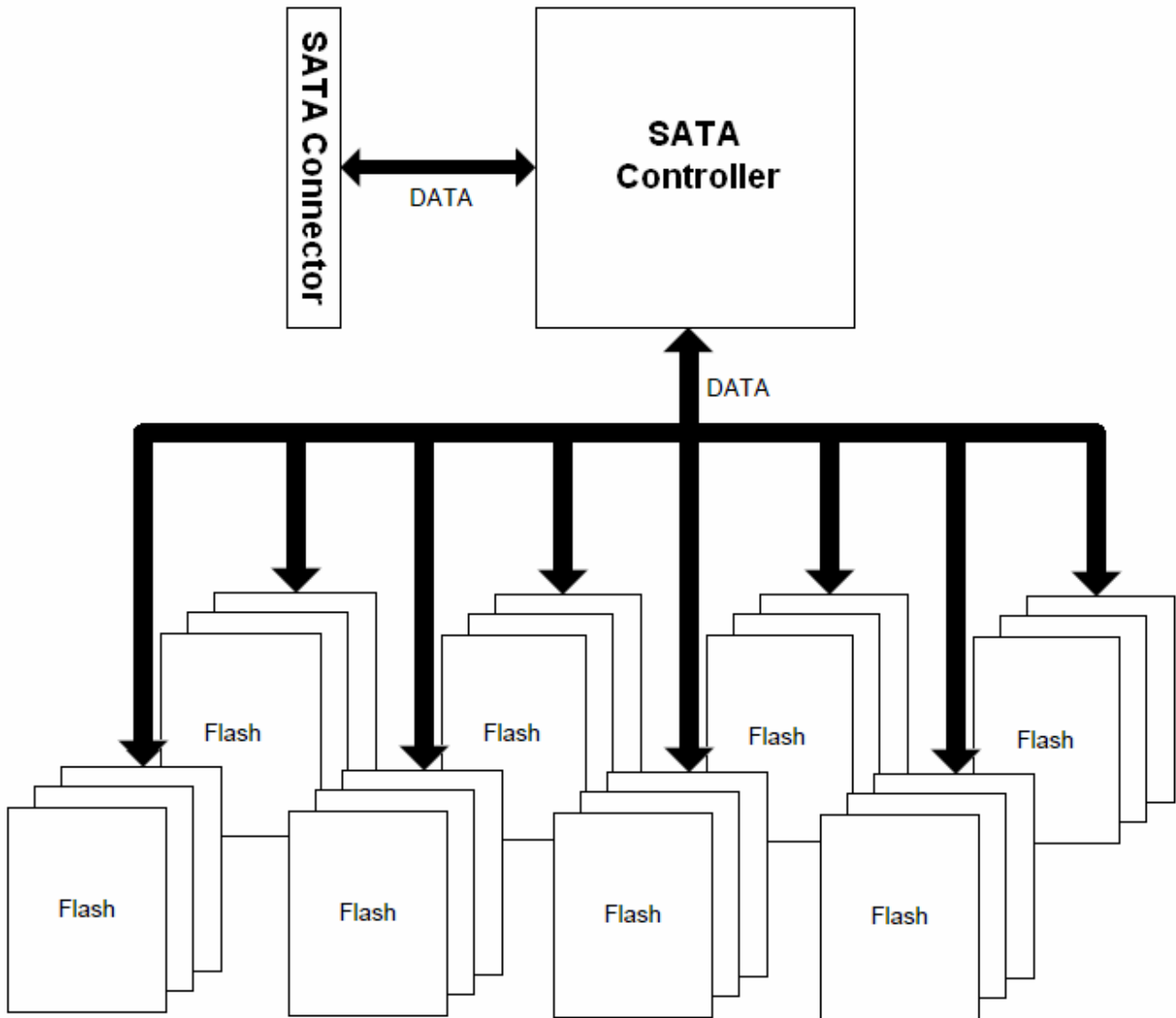
Pin Layout



TS8GSSD25S-S
TS16GSSD25S-S/M
TS32GSSD25S-S/M
TS64GSSD25S-S/M
TS128GSSD25S-M
TS192GSSD25S-M

2.5" Solid State Disk

Block Diagram



TS8GSSD25S-S
TS16GSSD25S-S/M
TS32GSSD25S-S/M
TS64GSSD25S-S/M
TS128GSSD25S-M
TS192GSSD25S-M

2.5" Solid State Disk

Reliability

Wear-Leveling algorithm

The controller supports static/dynamic wear leveling. When the host writes data, the controller will find and use the block with the lowest erase count among the free blocks. This is known as dynamic wear leveling. When the free blocks' erase count is higher than the data blocks', it will activate the static wear leveling, replacing the not so frequently used user blocks with the high erase count free blocks.

ECC algorithm

The controller use BCH8 ECC algorithm per 512 bytes. BCH8 can correct up to 8 random error bits within 512 data bytes.

Bad-block management

When the flash encounters ECC failed, program fail or erase fail, the controller will mark the block as bad block to prevent the used of this block and caused data lost later on.

TS8GSSD25S-S
TS16GSSD25S-S/M
TS32GSSD25S-S/M
TS64GSSD25S-S/M
TS128GSSD25S-M
TS192GSSD25S-M

2.5" Solid State Disk

SATA Interface

Out of bank signaling

There shall be three Out Of Band (OOB) signals used/detected by the Phy: COMRESET, COMINIT, and COMWAKE. COMINIT, COMRESET and COMWAKE OOB signaling shall be achieved by transmission of either a burst of four Gen1 ALIGN_P primitives or a burst composed of four Gen1 Dwords with each Dword composed of four D24.3 characters, each burst having a duration of 160 UI_{oob}. Each burst is followed by idle periods (at common-mode levels), having durations as depicted in Figure 4 and Table 2.

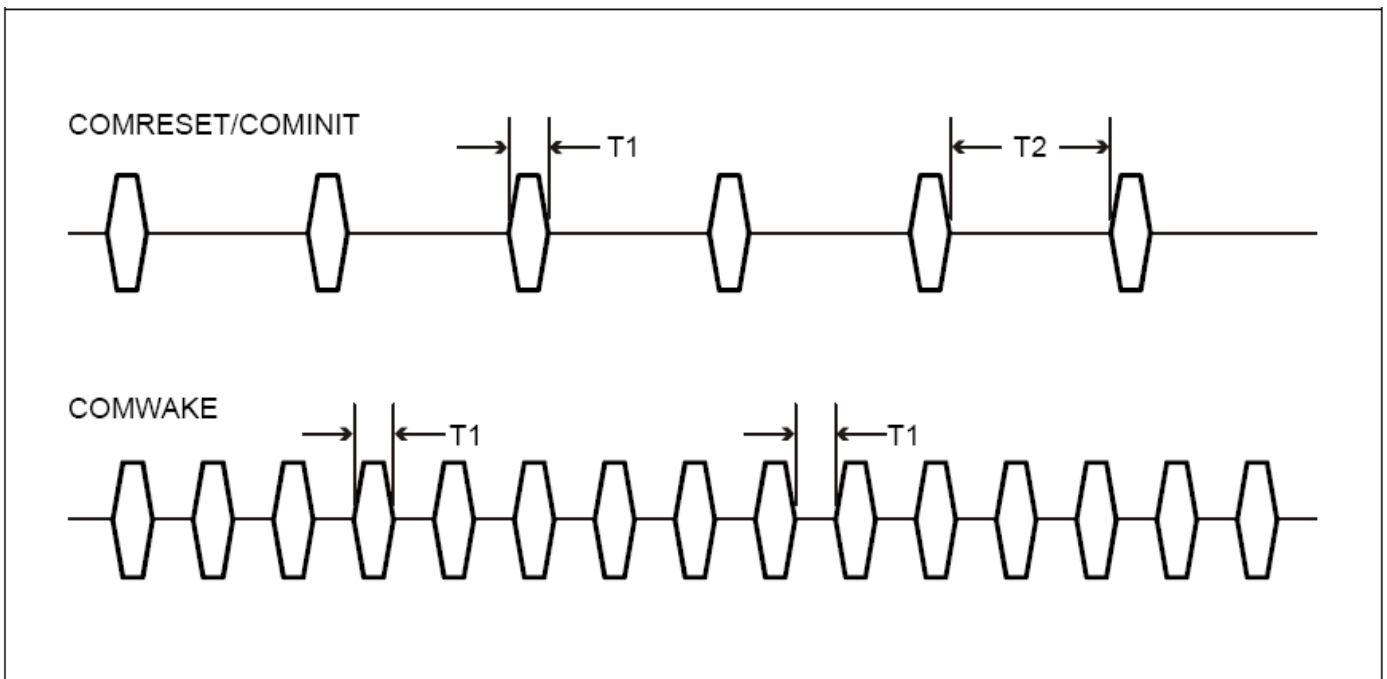


Figure 4 : OOB signals

Time	Value
T1	160 UI _{oob} (106.7 ns nominal)
T2	480 UI _{oob} (320 ns nominal)

Table 2 : OOB signal times

TS8GSSD25S-S
TS16GSSD25S-S/M
TS32GSSD25S-S/M
TS64GSSD25S-S/M
TS128GSSD25S-M
TS192GSSD25S-M

2.5" Solid State Disk

COMRESET

COMRESET always originates from the host controller, and forces a hardware reset in the device. It is indicated by transmitting bursts of data separated by an idle bus condition. The OOB COMRESET signal shall consist of no less than six data bursts, including inter-burst temporal spacing. The COMRESET signal shall be:

- 1) Sustained/continued uninterrupted as long as the system hard reset is asserted, or
- 2) Started during the system hardware reset and ended some time after the negation of system hardware reset, or
- 3) Transmitted immediately following the negation of the system hardware reset signal.

The host controller shall ignore any signal received from the device from the assertion of the hardware reset signal until the COMRESET signal is transmitted. Each burst shall be 160 Gen1 UI's long (106.7 ns) and each inter-burst idle state shall be 480 Gen1 UI's long (320 ns). A COMRESET detector looks for four consecutive bursts with 320 ns spacing (nominal). Any spacing less than 175 ns or greater than 525 ns shall invalidate the COMRESET detector output. The COMRESET interface signal to the Phy layer shall initiate the Reset sequence shown in Figure 5 below. The interface shall be held inactive for at least 525 ns after the last burst to ensure far-end detector detects the negation properly.

TS8GSSD25S-S
TS16GSSD25S-S/M
TS32GSSD25S-S/M
TS64GSSD25S-S/M
TS128GSSD25S-M
TS192GSSD25S-M

2.5" Solid State Disk

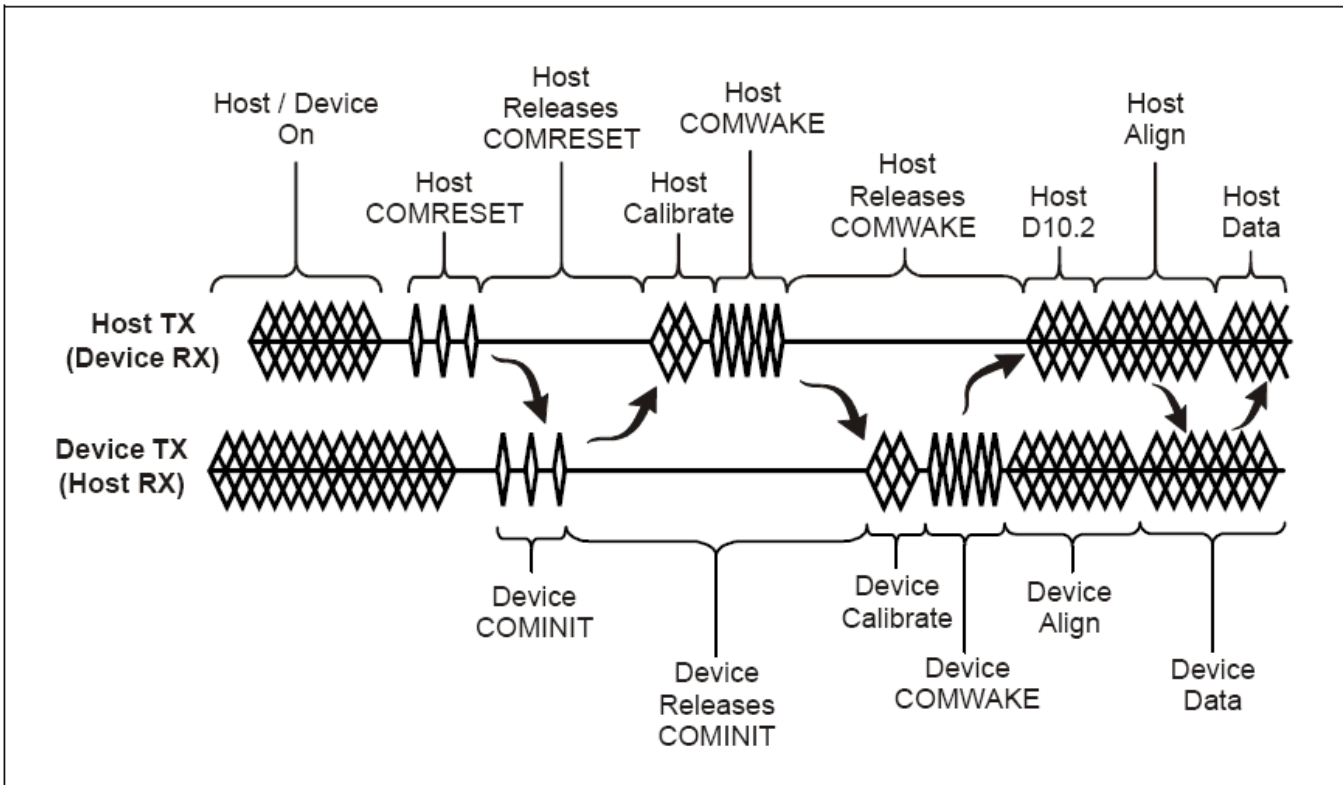


Figure 5 : comreset sequence

Description:

1. Host/device are powered and operating normally with some form of active communication.
2. Some condition in the host causes the host to issue COMRESET
3. Host releases COMRESET. Once the condition causing the COMRESET is released, the host releases the COMRESET signal and puts the bus in a quiescent condition.
4. Device issues COMINIT – When the device detects the release of COMRESET, it responds with a COMINIT. This is also the entry point if the device is late starting. The device may initiate communications at any time by issuing a COMINIT.
5. Host calibrates and issues a COMWAKE.
6. Device responds – The device detects the COMWAKE sequence on its RX pair and calibrates its transmitter (optional). Following calibration the device sends a six burst COMWAKE sequence and then sends a continuous stream of the ALIGN sequence starting at the device's highest supported speed. After ALIGNP Dwords have been sent

TS8GSSD25S-S
TS16GSSD25S-S/M
TS32GSSD25S-S/M
TS64GSSD25S-S/M
TS128GSSD25S-M
TS192GSSD25S-M

2.5" Solid State Disk

for 54.6us (2048 nominal Gen1 Dword times) without a response from the host as determined by detection of ALIGNP primitives received from the host, the device assumes that the host cannot communicate at that speed. If additional speeds are available the device tries the next lower supported speed by sending ALIGNP Dwords at that rate for 54.6 us (2048 nominal Gen1 Dword times.) This step is repeated for as many slower speeds as are supported. Once the lowest speed has been reached without response from the host, the device enters an error state.

7. Host locks – after detecting the COMWAKE, the host starts transmitting D10.2 characters at its lowest supported rate. Meanwhile, the host receiver locks to the ALIGN sequence and, when ready, returns the ALIGN sequence to the device at the same speed as received. A host shall be designed such that it acquires lock in 54.6us (2048 nominal Gen1 Dword times) at any given speed. The host should allow for at least 873.8 us (32768 nominal Gen1 Dword times) after detecting the release of COMWAKE to receive the first ALIGNP. This ensures interoperability with multi-generational and synchronous designs. If no ALIGNP is received within 873.8 us (32768 nominal Gen1 Dword times) the host restarts the power-on sequence – repeating indefinitely until told to stop by the Application layer.

8. Device locks – the device locks to the ALIGN sequence and, when ready, sends SYNCP indicating it is ready to start normal operation.

9. Upon receipt of three back-to-back non-ALIGNP primitives, the communication link is established and normal operation may begin.

COMINIT

COMINIT always originates from the drive and requests a communication initialization. It is electrically identical to the COMRESET signal except that it originates from the device and is sent to the host. It is used by the device to request a reset from the host in accordance to the sequence shown in Figure 6, below.

TS8GSSD25S-S
TS16GSSD25S-S/M
TS32GSSD25S-S/M
TS64GSSD25S-S/M
TS128GSSD25S-M
TS192GSSD25S-M

2.5" Solid State Disk

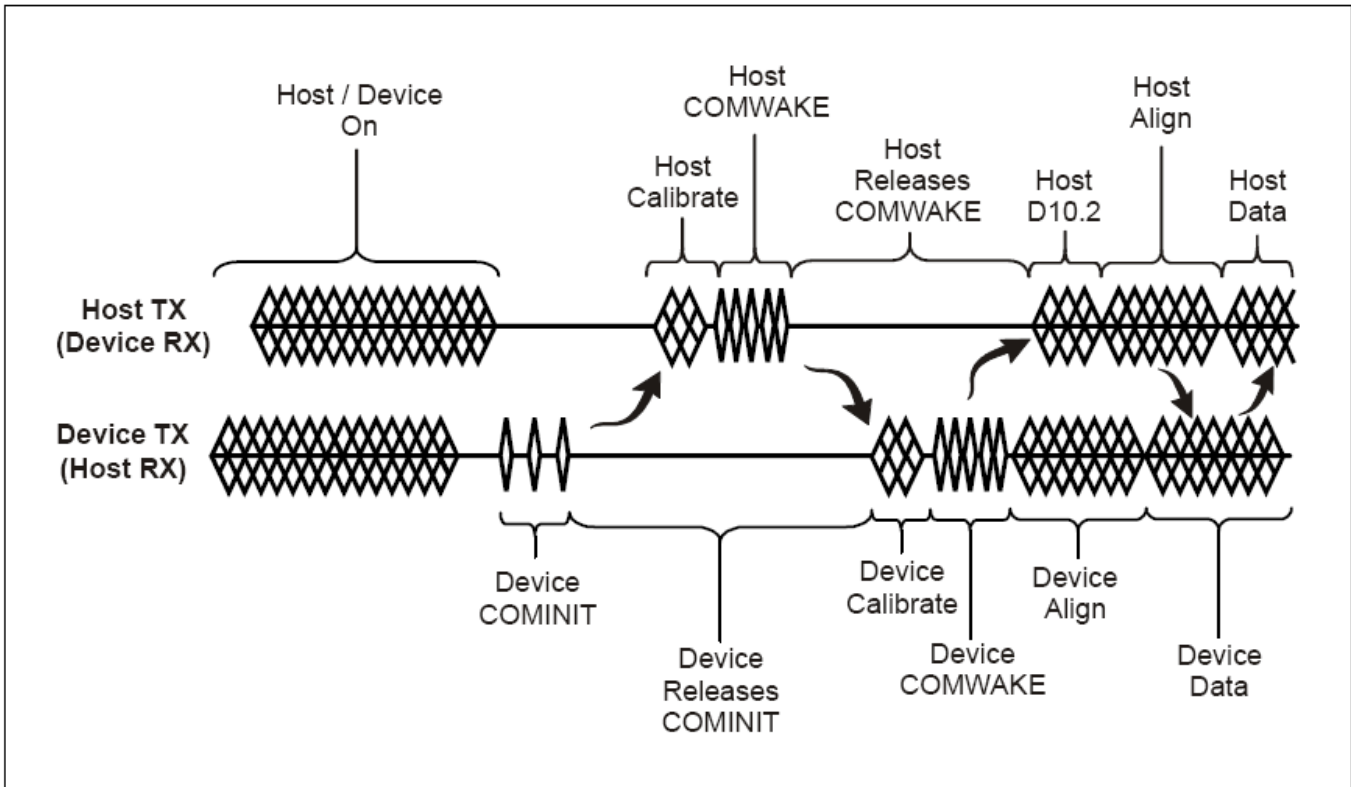


Figure 6 : cominit sequence

Description:

1. Host/device are powered and operating normally with some form of active communication.
2. Some condition in the device causes the device to issues a COMINIT
3. Host calibrates and issues a COMWAKE.
4. Device responds – The device detects the COMWAKE sequence on its RX pair and calibrates its transmitter (optional). Following calibration the device sends a six burst COMWAKE sequence and then sends a continuous stream of the ALIGN sequence starting at the device's highest supported speed. After ALIGN_P Dwords have been sent for 54.6 us (2048 nominal Gen1 Dword times) without a response from the host as determined by detection of ALIGN_P primitives received from the host, the device assumes that the host cannot communicate at that speed. If additional speeds are available the device tries the next lower supported speed by sending ALIGN_P Dwords at that rate for 54.6 us (2048 nominal Gen1 Dword times.) This step is repeated for as many slower speeds as are supported. Once the lowest speed has been reached without response from the host, the device enters an error state.

TS8GSSD25S-S
TS16GSSD25S-S/M
TS32GSSD25S-S/M
TS64GSSD25S-S/M
TS128GSSD25S-M
TS192GSSD25S-M

2.5" Solid State Disk

5. Host locks – after detecting the COMWAKE, the host starts transmitting D10.2 characters at its lowest supported rate. Meanwhile, the host receiver locks to the ALIGN sequence and, when ready, returns the ALIGN sequence to the device at the same speed as received. A host shall be designed such that it acquires lock in 54.6 us (2048 nominal Gen1 Dword times) at any given speed. The host should allow for at least 873.8 us (32768 nominal Gen1 Dword times) after detecting the release of COMWAKE to receive the first ALIGN_P. This ensures interoperability with multi-generational and synchronous designs. If no ALIGN_P is received within 873.8 us (32768 nominal Gen1 Dword times) the host restarts the power-on sequence – repeating indefinitely until told to stop by the Application layer.

6. Device locks – the device locks to the ALIGN sequence and, when ready, sends SYNC_P indicating it is ready to start normal operation.

6. Upon receipt of three back-to-back non-ALIGN_P primitives, the communication link is established and normal operation may begin.

Power on sequence timing diagram

The following timing diagrams and descriptions are provided for clarity and are informative.

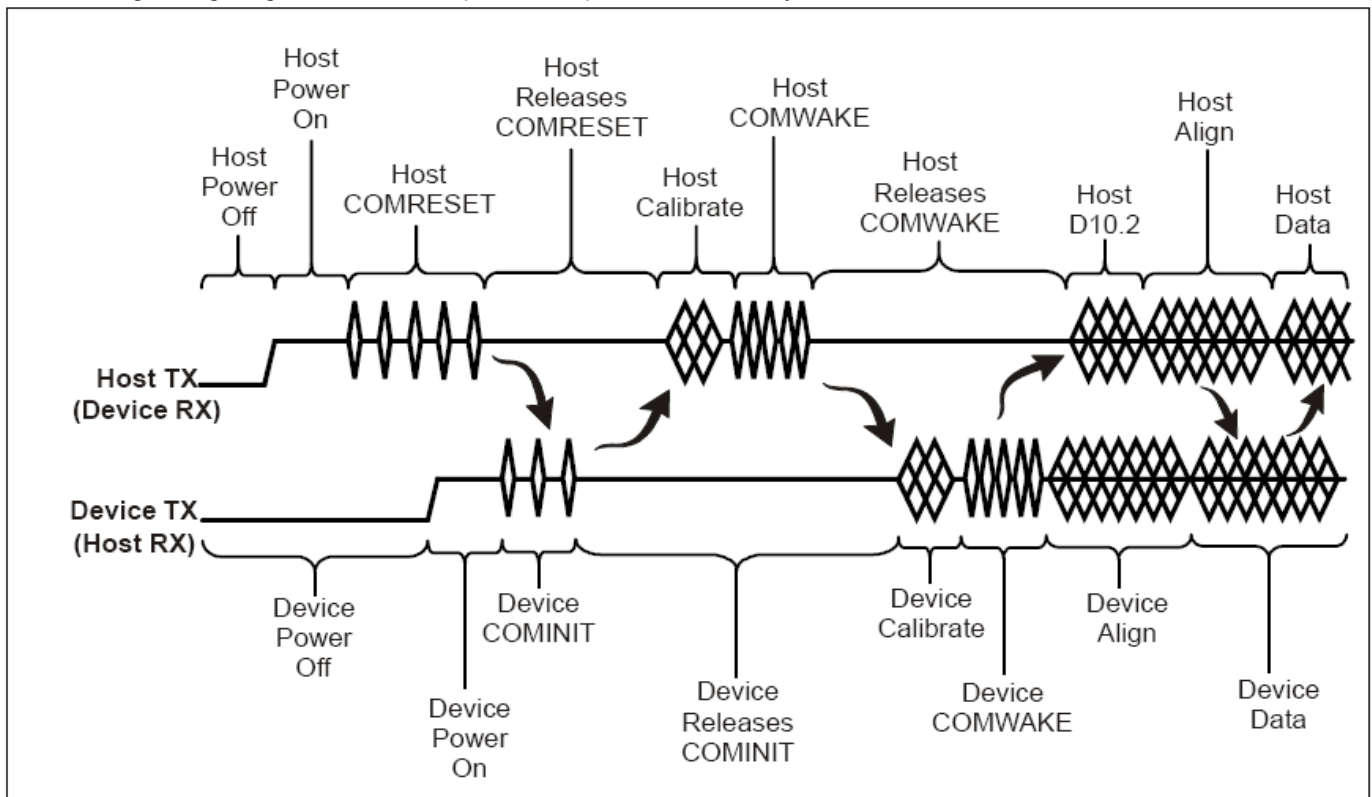


Figure 7 : power on sequence

TS8GSSD25S-S
TS16GSSD25S-S/M
TS32GSSD25S-S/M
TS64GSSD25S-S/M
TS128GSSD25S-M
TS192GSSD25S-M

2.5" Solid State Disk

Description:

1. Host/device power-off - Host and device power-off.
2. Power is applied - Host side signal conditioning pulls TX and RX pairs to neutral state (common mode voltage).
3. Host issues COMRESET
4. Host releases COMRESET. Once the power-on reset is released, the host releases the COMRESET signal and puts the bus in a quiescent condition.
5. Device issues COMINIT – When the device detects the release of COMRESET, it responds with a COMINIT. This is also the entry point if the device is late starting. The device may initiate communications at any time by issuing a COMINIT.
6. Host calibrates and issues a COMWAKE.
7. Device responds – The device detects the COMWAKE sequence on its RX pair and calibrates its transmitter (optional). Following calibration the device sends a six burst COMWAKE sequence and then sends a continuous stream of the ALIGN sequence starting at the device's highest supported speed. After ALIGN_P primitives have been sent for 54.6 us (2048 nominal Gen1 Dword times) without a response from the host as determined by detection of ALIGN_P primitives received from the host, the device assumes that the host cannot communicate at that speed. If additional speeds are available the device tries the next lower supported speed by sending ALIGN_P primitives at that rate for 54.6 us (2048 nominal Gen1 Dword times.) This step is repeated for as many slower speeds as are supported. Once the lowest speed has been reached without response from the host, the device shall enter an error state.
8. Host locks – after detecting the COMWAKE, the host starts transmitting D10.2 characters at its lowest supported rate. Meanwhile, the host receiver locks to the ALIGN sequence and, when ready, returns the ALIGN sequence to the device at the same speed as received. A host shall be designed such that it acquires lock in 54.6 us (2048 nominal Gen1 Dword times) at any given speed. The host should allow for at least 873.8 us (32768 nominal Gen1 Dword times) after detecting the release of COMWAKE to receive the first ALIGN_P. This insures interoperability with multi-generational and synchronous designs. If no ALIGN_P is received within 873.8 us (32768 nominal Gen1 Dword times) the host restarts the power-on sequence – repeating indefinitely until told to stop by the Application layer.
9. Device locks – the device locks to the ALIGN sequence and, when ready, sends the SYNC_P primitive indicating it is ready to start normal operation.
10. Upon receipt of three back-to-back non-ALIGN_P primitives, the communication link is established and normal operation may begin.

ATA command register

This table with the following paragraphs summarizes the ATA command set.

TS8GSSD25S-S
TS16GSSD25S-S/M
TS32GSSD25S-S/M
TS64GSSD25S-S/M
TS128GSSD25S-M
TS192GSSD25S-M

2.5" Solid State Disk

Command Table

Command Name	Code	PARAMETERS USED					
		SC	SN	CY	DR	HD	FT
CHECK POWER MODE	E5h	X	X	X	O	X	X
EXECUTE DIAGNOSTICS	90h	X	X	X	O	X	X
FLUSH CACHE	E7h	X	X	X	O	O	X
FLUSH CACHE EXT	EAh	X	X	X	O	O	X
IDENTIFY DEVICE	ECh	X	X	X	O	X	X
IDLE	E3h	O	X	X	O	X	X
IDLE IMMEDIATE	E1h	X	X	X	O	X	X
INITIALIZE DEVICE PARAMETERS	91h	O	X	X	O	O	X
READ DMA	C8h or C9h	O	O	O	O	O	X
READ DMA EXT	25h	O	O	O	O	O	X
READ FPDMA QUEUED	60h	O	O	O	O	O	O
READ LOG EXT	2Fh	O	O	O	O	O	O
READ MULTIPLE	C4h	O	O	O	O	O	X
READ MULTIPLE EXT	29h	O	O	O	O	O	X
READ SECTOR(S)	20h or 21h	O	O	O	O	O	X
READ SECTOR(S) EXT	24h	O	O	O	O	O	X
READ VERIFY SECTOR(S)	40h or 41h	O	O	O	O	O	X
READ VERIFY SECTOR(S) EXT	42h	O	O	O	O	O	X
RECALIBRATE	10h	X	X	X	O	X	X
SECURITY DISABLE PASSWORD	F6h	X	X	X	O	X	X
SECURITY ERASE PREPARE	F3h	X	X	X	O	X	X
SECURITY ERASE UNIT	F4h	X	X	X	O	X	X
SECURITY FREEZE LOCK	F5h	X	X	X	O	X	X
SECURITY SET PASSWORD	F1h	X	X	X	O	X	X
SECURITY UNLOCK	F2h	X	X	X	O	X	X
SEEK	7xh	X	X	O	O	O	X
SET FEATURES	EFh	O	X	X	O	X	O

TS8GSSD25S-S
TS16GSSD25S-S/M
TS32GSSD25S-S/M
TS64GSSD25S-S/M
TS128GSSD25S-M
TS192GSSD25S-M

2.5" Solid State Disk

SET MULTIPLE MODE	C6h	O	X	X	O	X	X
SLEEP	E6h	X	X	X	O	X	X
SMART	B0h	X	X	O	O	X	O
STANDBY	E2h	X	X	X	O	X	X
STANDBY IMMEDIATE	E0h	X	X	X	O	X	X
WRITE DMA	CAh or CBh	O	O	O	O	O	X
WRITE DMA EXT	35h	O	O	O	O	O	X
WRITE DMA FUA EXT	3Dh	O	O	O	O	O	X
WRITE FPDMA QUEUED	61h	O	O	O	O	O	O
WRITE MULTIPLE	C5h	O	O	O	O	O	X
WRITE MULTIPLE EXT	39h	O	O	O	O	O	X
WRITE MULTIPLE FUA EXT	CEh	O	O	O	O	O	X
WRITE SECTOR(S)	30h or 31h	O	O	O	O	O	X
WRITE SECTOR(S) EXT	34h	O	O	O	O	O	X

Note:

O = Valid, X = Don't care

SC = Sector Count Register

SN = Sector Number Register

CY = Cylinder Low/High Register

DR = DEVICE SELECT Bit (DEVICE/HEAD Register Bit 4)

HD = HEAD SELECT Bit (DEVICE/HEAD Register Bit 3-0)

FT = Features Register

TS8GSSD25S-S
TS16GSSD25S-S/M
TS32GSSD25S-S/M
TS64GSSD25S-S/M
TS128GSSD25S-M
TS192GSSD25S-M

2.5" Solid State Disk

ATA Command Specifications

CHECK POWER MODE (E5h)

The host can use this command to determine the current power management mode.

EXECUTE DIAGNOSTICS (90h)

This command performs the internal diagnostic tests implemented by the drive.

FLUSH CACHE (E7h)

This command is used by the host to request the device to flush the write cache. If there is data in the write cache, that data shall be written to the media. The BSY bit shall remain set to one until all data has been successfully written or an error occurs.

FLUSH CACHE EXT (EAh)

48-bit feature set mandatory command. This command is used by the host to request the device to flush the write cache. If there is data in the write cache, that data shall be written to the media. The BSY bit shall remain set to one until all data has been successfully written or an error occurs.

IDENTIFY DEVICE (ECh)

This commands read out 512Bytes of drive parameter information. Parameter Information consists of the arrangement and value as shown in the following table. This command enables the host to receive the Identify Drive Information from the device.

TS8GSSD25S-S
TS16GSSD25S-S/M
TS32GSSD25S-S/M
TS64GSSD25S-S/M
TS128GSSD25S-M
TS192GSSD25S-M

2.5" Solid State Disk

Identify Device Information Default Value

Word	Value	F/V	Description
0	0040h	F X F X X F X F	General configuration bit-significant information: 15 0 = ATA device 14-8 Retired 7 1 = removable media device 6 Obsolete 5-3 Retired 2 Reserved 1 Retired 0 Reserved
1	XXXXh	X	Number of logical cylinders
2	C837h	V	Specific configuration
3	00XXh	X	Number of logical heads
4-5	XXXXh	X	Retired
6	XXXXh	X	Number of logical sector per logical track
7-8	XXXXh	V	Reserved for assignment by the CompactFlash_ Association
9	000Eh	X	Retired
10-19	XXXXh	F	Serial number (20 ASCII characters)
20-21	XXXXh	X	Retired
22	003Fh	X	Obsolete
23-26	XXXXh	F	Firmware revision (8 ASCII characters)
27-46	XXXXh	F	Model number (40 ASCII characters)
47	8000h	F F F	15-8 80h 7-0 00h = Reserved 01h = Maximum number of 1 sectors on READ/WRITE MULTIPLE commands
48	4000h	F	Reserved
49	2F00h	F F F F F F F X	Capabilities 15-14 Reserved for the IDENTIFY PACKET DEVICE command. 13 1 = Standby timer values as specified in this standard are supported 0 = Standby timer values shall be managed by the device 12 Reserved for the IDENTIFY PACKET DEVICE command. 11 1 = IORDY supported 0 = IORDY may be supported 10 1 = IORDY may be disabled 9 1 = LBA supported 8 1 = DMA supported. 7-0 Retired

TS8GSSD25S-S
TS16GSSD25S-S/M
TS32GSSD25S-S/M
TS64GSSD25S-S/M
TS128GSSD25S-M
TS192GSSD25S-M

2.5" Solid State Disk

50	4000h	F F F X F	Capabilities 15 Shall be cleared to zero. 14 Shall be set to one. 13-2 Reserved. 1 Obsolete 0 Shall be set to one to indicate a device specific Standby timer value minimum.
51	0280h	X	15-8 PIO data transfer cycle timing mode 7-0 Reserved
52	0000h	X	Obsolete
53	0007h	F F F X	15-3 Reserved 2 1 = the fields reported in word 88 are valid 0 = the fields reported in word 88 are not valid 1 1 = the fields reported in words 70:64 are valid 0 = the fields reported in words 70:64 are not valid 0 1 = the fields reported in words 58:54 are valid 0 = the fields reported in words 58:54 are not valid
54	XXXXh	X	Number of current cylinders
55	00XXh	X	Number of current heads
56	XXXXh	X	Number of current sector per track
57-58	XXXXh	X	Current capacity in sectors
59	0000h	F V V	15-9 Reserved 8 1 = Multiple sector setting is valid 7-0 xxh = Setting for number of sectors that shall be transferred per interrupt on R/W Multiple command
60-61	XXXXh	F	Total number of user addressable sectors
62	0000h	X	Obsolete
63	0007h	F V V V F F F F	15-11 Reserved 10 1 = Multiword DMA mode 2 is selected 0 = Multiword DMA mode 2 is not selected 9 1 = Multiword DMA mode 1 is selected 0 = Multiword DMA mode 1 is not selected 8 1 = Multiword DMA mode 0 is selected 0 = Multiword DMA mode 0 is not selected 7-3 Reserved 2 1 = Multiword DMA mode 2 and below are supported 1 1 = Multiword DMA mode 1 and below are supported 0 1 = Multiword DMA mode 0 is supported
64	0003h	F F	15-8 Reserved 7-0 Advanced PIO modes supported
65	0078h	F	Minimum Multiword DMA transfer cycle time per word
66	0078h	F	Manufacturer's recommended Multiword DMA transfer cycle time
67	0078h	F	Minimum PIO transfer cycle time without flow control

TS8GSSD25S-S
TS16GSSD25S-S/M
TS32GSSD25S-S/M
TS64GSSD25S-S/M
TS128GSSD25S-M
TS192GSSD25S-M

2.5” Solid State Disk

68	0078h	F	Minimum PIO transfer cycle time with IORDY flow control
69-79	0000h	F	Reserved (for future command overlap and queuing)
80	01FEh	F	Major version number 0000h or FFFFh = device does not report version
		F	15 Reserved
		F	14 Reserved for ATA/ATAPI-14
		F	13 Reserved for ATA/ATAPI-13
		F	12 Reserved for ATA/ATAPI-12
		F	11 Reserved for ATA/ATAPI-11
		F	10 Reserved for ATA/ATAPI-10
		F	9 Reserved for ATA/ATAPI-9
		F	8 Reserved for ATA/ATAPI-8
		F	7 1 = supports ATA/ATAPI-7
		F	6 1 = supports ATA/ATAPI-6
		F	5 1 = supports ATA/ATAPI-5
		F	4 1 = supports ATA/ATAPI-4
		F	3 Obsolete
		X	2 Obsolete
		X	1 Obsolete
		F	0 Reserved
81	0021h	F	Minor version number
82	0068h	X	Command set supported.
		F	15 Obsolete
		F	14 1 = NOP command supported
		F	13 1 = READ BUFFER command supported
		F	12 1 = WRITE BUFFER command supported
		X	11 Obsolete
		F	10 1 = Host Protected Area feature set supported
		F	9 1 = DEVICE RESET command supported
		F	8 1 = SERVICE interrupt supported
		F	7 1 = release interrupt supported
		F	6 1 = look-ahead supported
		F	5 1 = write cache supported
		F	4 Shall be cleared to zero to indicate that the PACKET Command feature set is not supported.
		F	3 1 = mandatory Power Management feature set supported
		F	2 1 = Removable Media feature set supported
		F	1 1 = Security Mode feature set supported
		F	0 1 = SMART feature set supported
83	5000h	F	Command sets supported.
		F	15 Shall be cleared to zero
		F	14 Shall be set to one
		F	13-9 Reserved
		F	8 1 = SET MAX security extension supported
		F	7 Reserved
		F	6 1 = SET FEATURES subcommand required to spinup after power-up
		F	5 1 = Power-Up In Standby feature set supported

TS8GSSD25S-S
TS16GSSD25S-S/M
TS32GSSD25S-S/M
TS64GSSD25S-S/M
TS128GSSD25S-M
TS192GSSD25S-M

2.5” Solid State Disk

		F	4	1 = Removable Media Status Notification feature set supported
		F	3	1 = Advanced Power Management feature set supported
		F	2	1 = CFA feature set supported
		F	1	1 = READ/WRITE DMA QUEUED supported
		F	0	1 = DOWNLOAD MICROCODE command supported
84	4000h	F	15	Command set/feature supported extension. Shall be cleared to zero
		F	14	Shall be set to one
		F	13-2	Reserved
		F	1	1 = SMART self-test supported
		F	0	1 = SMART error logging supported
85	0008h	X	15	Command set/feature enabled. Obsolete
		F	14	1 = NOP command enabled
		F	13	1 = READ BUFFER command enabled
		F	12	1 = WRITE BUFFER command enabled
		X	11	Obsolete
		V	10	1 = Host Protected Area feature set enabled
		F	9	1 = DEVICE RESET command enabled
		V	8	1 = SERVICE interrupt enabled
		V	7	1 = release interrupt enabled
		V	6	1 = look-ahead enabled
		V	5	1 = write cache enabled
		F	4	Shall be cleared to zero to indicate that the PACKET Command feature set is not supported.
		F	3	1 = Power Management feature set enabled
		F	2	1 = Removable Media feature set enabled
		V	1	1 = Security Mode feature set enabled
		V	0	1 = SMART feature set enabled
86	5000h	F	15-9	Command set/feature enabled. Reserved
		F	8	1 = SET MAX security extension enabled by SET MAX SET PASSWORD
		F	7	See Address Offset Reserved Area Boot, INCITS TR27:2001
		F	6	1 = SET FEATURES subcommand required to spin-up after power-up
		V	5	1 = Power-Up In Standby feature set enabled
		V	4	1 = Removable Media Status Notification feature set enabled
		V	3-1	1 = Advanced Power Management feature set enabled
		F	0	1 = DOWNLOAD MICROCODE command supported
87	4000h	F	15	Command set/feature default. Shall be cleared to zero
		F	14	Shall be set to one
		F	13-2	Reserved
		F	1	1 = SMART self-test supported
		F	0	1 = SMART error logging supported
88	203Fh	V	15-13	Reserved
			12	1 = Ultra DMA mode 4 is selected 0 = Ultra DMA mode 4 is not selected

TS8GSSD25S-S
TS16GSSD25S-S/M
TS32GSSD25S-S/M
TS64GSSD25S-S/M
TS128GSSD25S-M
TS192GSSD25S-M

2.5" Solid State Disk

		V	11	1 = Ultra DMA mode 3 is selected 0 = Ultra DMA mode 3 is not selected
		V	10	1 = Ultra DMA mode 2 is selected 0 = Ultra DMA mode 2 is not selected
		V	9	1 = Ultra DMA mode 1 is selected 0 = Ultra DMA mode 1 is not selected
		V	8	1 = Ultra DMA mode 0 is selected 0 = Ultra DMA mode 0 is not selected
		F	7-5	Reserved
		F	4	1 = Ultra DMA mode 4 and below are supported
		F	3	1 = Ultra DMA mode 3 and below are supported
		F	2	1 = Ultra DMA mode 2 and below are supported
		F	1	1 = Ultra DMA mode 1 and below are supported
		F	0	1 = Ultra DMA mode 0 is supported
89	0000h	F		Time required for security erase unit completion
90	0000h	F		Time required for Enhanced security erase completion
91	0000h	V		Current advanced power management value
92	0000h	V		Master Password Revision Code
93	0000h	X		Hardware reset result
94-126	0000h	V		Reserved
127	0000h	F		Removable Media Status Notification feature set support
		F	15-2	Reserved
		F	1-0	00 = Removable Media Status Notification feature set not supported 01 = Removable Media Status Notification feature supported 10 = Reserved 11 = Reserved
128	0001h	F		Security status
		V	15-9	Reserved
		V	8	Security level 0 = High, 1 = Maximum
		F	7-6	Reserved
		F	5	1 = Enhanced security erase supported
		V	4	1 = Security count expired
		V	3	1 = Security frozen
		V	2	1 = Security locked
		V	1	1 = Security enabled
		F	0	1 = Security supported
129-159	0000h	X		Vendor specific
160-254	0000h	X		Reserved
255	0000h	X		Integrity word
			15-8	Checksum
			7-0	Signature
Key:				

TS8GSSD25S-S
TS16GSSD25S-S/M
TS32GSSD25S-S/M
TS64GSSD25S-S/M
TS128GSSD25S-M
TS192GSSD25S-M

2.5" Solid State Disk

F/V = Fixed/variable content

F = the content of the word is fixed and does not change. For removable media devices, these values may change when media is removed or changed.

V = the contents of the word is variable and may change depending on the state of the device or the commands executed by the device.

X = the content of the word may be fixed or variable.

IDLE (E3h)

This command causes the device to set BSY, enter the Idle mode, clear BSY and generate an interrupt. If sector count is non-zero, the automatic power down mode is enabled. If the sector count is zero, the automatic power mode is disabled.

IDLE IMMEDIATE (E1h)

This command causes the device to set BSY, enter the Idle(Read) mode, clear BSY and generate an interrupt.

INITIALIZE DEVICE PARAMETERS (91h)

This command enables the host to set the number of sectors per track and the number of tracks per heads.

READ DMA (C8h)

Read data from sectors during Ultra DMA and Multiword DMA transfer. Use the SET FEATURES command to specify the mode value. A sector count of zero requests 256 sectors.

TS8GSSD25S-S
TS16GSSD25S-S/M
TS32GSSD25S-S/M
TS64GSSD25S-S/M
TS128GSSD25S-M
TS192GSSD25S-M

2.5” Solid State Disk

READ DMA EXT (25h)

48-bit feature set mandatory command. Read data from sectors during Ultra DMA and Multiword DMA transfer. Use the SET FEATURES command to specify the mode value. A sector count of zero requests 65536 sectors.

READ FPDMA QUEUED (60h)

NCQ feature set mandatory 48-bit command. This command requests that data to be transferred from the device to the host.

READ LOG EXT (2Fh)

General purpose logging feature set mandatory 48-bit command. This command returns the specified log to the host.

Log Address	Log Name	Feature Set	R/W	Access
00h	Log directory	N/A	RO	GPL
10h	NCQ Command Error	NCQ	RO	GPL

READ MULTIPLE (C4h)

This command performs similarly to the Read Sectors command. Interrupts are not generated on each sector, but on the transfer of a block which contains the number of sectors defined by a Set Multiple command.

READ MULTIPLE EXT (29h)

48-bit feature set mandatory command. This command performs similarly to the Read Sectors command. Interrupts are not generated on each sector, but on the transfer of a block which contains the number of sectors defined by a Set Multiple command.

READ SECTOR(S) (20h/21h)

This command reads 1 to 256 sectors as specified in the Sector Count register from sectors which is set by Sector number register. A sector count of 0 requests 256 sectors. The transfer beings specified in the Sector Number register.

READ SECTOR(S) EXT (24h)

48-bit feature set mandatory command. This command reads 1 to 65536 sectors as specified in the Sector Count register from sectors which is set by Sector number register. A sector count of zero requests 65536 sectors. The transfer beings specified in the Sector Number register.

TS8GSSD25S-S
TS16GSSD25S-S/M
TS32GSSD25S-S/M
TS64GSSD25S-S/M
TS128GSSD25S-M
TS192GSSD25S-M

2.5" Solid State Disk

READ VERIFY SECTOR(S) (40h/41h)

This command verifies one or more sectors on the drive by transferring data from the flash media to the data buffer in the drive and verifying that the ECC is correct. This command is identical to the Read Sectors command, except that DRQ is never set and no data is transferred to the host.

READ VERIFY SECTOR(S) EXT (42h)

48-bit feature set mandatory command. This command verifies one or more sectors on the drive by transferring data from the flash media to the data buffer in the drive and verifying that the ECC is correct. This command is identical to the Read Sectors command, except that DRQ is never set and no data is transferred to the host.

RECALIBRATE (10h)

The current drive performs no processing if it receives this command. It is supported for backward compatibility with previous devices.

SECURITY DISABLE PASSWORD (F6h)

Disables any previously set user password and cancels the lock. The host transfers 512 bytes of data, as shown in the following table, to the drive. The transferred data contains a user or master password, which the drive compares with the saved password. If they match, the drive cancels the lock. The master password is still saved. It is re-enabled by issuing the SECURITY SET PASSWORD command to re-set a user password.

SECURITY ERASE PREPARE (F3h)

This command shall be issued immediately before the Security Erase Unit command to enable erasing and unlocking. This command prevents accidental loss of data on the drive.

SECURITY ERASE UNIT (F4h)

The host uses this command to transfer 512 bytes of data, as shown in the following table, to the drive. The transferred data contains a user or master password, which the drive compares with the saved password. If they match, the drive deletes user data, disables the user password, and cancels the lock. The master password is still saved. It is re-enabled by issuing the SECURITY SET PASSWORD command to re-set a user password.

TS8GSSD25S-S
TS16GSSD25S-S/M
TS32GSSD25S-S/M
TS64GSSD25S-S/M
TS128GSSD25S-M
TS192GSSD25S-M

2.5” Solid State Disk

SECURITY FREEZE LOCK (F5h)

Causes the drive to enter Frozen mode. Once this command has been executed, the following commands to update a lock result in the Aborted Command error:

- SECURITY SET PASSWORD
- SECURITY UNLOCK
- SECURITY DISABLE PASSWORD
- SECURITY ERASE PREPARE
- SECURITY ERASE UNIT

The drive exits from Frozen mode upon a power-off or hard reset. If the SECURITY FREEZE LOCK command is issued when the drive is placed in Frozen mode, the drive executes the command, staying in Frozen mode.

SECURITY SET PASSWORD (F1h)

This command set user password or master password. The host outputs sector data with PIO data-out protocol to indicate the information defined in the following table.

Security set Password data content

Word	Content		
0	Control word		
	Bit 0	Identifier	0=set user password 1=set master password
	Bits 1-7	Reserved	
	Bit 8	Security level	0=High 1=Maximum
	Bits 9-15	Reserved	
1-16	Password (32 bytes)		
17-255	Reserved		

SECURITY UNLOCK (F2h)

This command disable LOCKED MODE of the device. This command transfers 512 bytes of data from the host with PIO data-out protocol. The following table defines the content of this information.

TS8GSSD25S-S
TS16GSSD25S-S/M
TS32GSSD25S-S/M
TS64GSSD25S-S/M
TS128GSSD25S-M
TS192GSSD25S-M

2.5” Solid State Disk

Security Unlock information

Word	Content		
0	Control word		
	Bit 0	Identifier	0=compare user password 1=compare master password
	Bits 1-15	Reserved	
1-16	Password (32 bytes)		
17-255	Reserved		

SEEK (7xh)

This command is effectively a NOP command to the device although it does perform a range check.

SET FEATURES (EFh)

This command set parameter to Features register and set drive's operation. For transfer mode, parameter is set to Sector Count register. This command is used by the host to establish or select certain features.

Features register Value and settable operating mode

Value	Function
02h	Enable write cache
03h	Set transfer mode based on value in Sector Count register.
55h	Disable read look-ahead feature
82h	Disable write cache
AAh	Enable read look-ahead feature

SET MULTIPLE MODE (C6h)

This command enables the device to perform READ MULTIPLE and WRITE MULTIPLE operations and establishes the block count for these commands.

SLEEP (E6h)

This command causes the device to set BSY, enter the Sleep mode, clear BSY and generate an interrupt.

TS8GSSD25S-S
TS16GSSD25S-S/M
TS32GSSD25S-S/M
TS64GSSD25S-S/M
TS128GSSD25S-M
TS192GSSD25S-M

2.5" Solid State Disk

SMART Function Set (B0h)

Performs different processing required for predicting device failures, according to the subcommand specified in the Features register. If the Features register contains an unsupported value, the Aborted Command error is returned. If the SMART function is disabled, any subcommand other than SMART ENABLE OPERATIONS results in the Aborted Command error.

SMART Sub Command Set

Value	Function
D0h	Read Data
D1h	Read Attribute Thresholds
D2h	Enable/Disable Autosave
D3h	Save Attribute Values
D8h	Enable Operations
D9h	Disable Operations
DAh	Return Status

SMART ID List

ID(Hex)	Description	Reference
0C	Power Cycle Count	Support
09	Power On Hours Count	Not Support
C2	Temperature	Not Support
E5	Halt System ID, Flash ID	Table 1
E8	Firmware version information	Table 2
E9	ECC Fail Record	Table 3
EA	Average Erase Count, Max Erase Count	Table 4
EB	Good Block Count, System Block Count	Table 5
EC~EF	Reserved	
F1~FF	Reserved	

TS8GSSD25S-S
TS16GSSD25S-S/M
TS32GSSD25S-S/M
TS64GSSD25S-S/M
TS128GSSD25S-M
TS192GSSD25S-M

2.5" Solid State Disk

Individual Attribute Data structure

Byte	Description
0	Attribute ID
1	Status Flag (0x0002)
2	
3	Attribute Value (0x64)
4~11	Vendor Specific

Table 1

Byte	Description
0	Halt System ID
1	Flash ID (byte 1)
2	Flash ID (byte 2)
3	Flash ID (byte 3)
4	Flash ID (byte 4)
5	Flash ID (byte 5)
6	Flash ID (byte 6)
7	Flash ID (byte 7)

Table 2

Byte	Description
0	Year (High Byte, ASCII)
1	Year (Low Byte, ASCII)
2	Month (High Byte, ASCII)
3	Month (Low Byte, ASCII)
4	Day (High Byte, ASCII)
5	Day (Low Byte, ASCII)
6	Channels (binary)
7	Banks (binary)

TS8GSSD25S-S
TS16GSSD25S-S/M
TS32GSSD25S-S/M
TS64GSSD25S-S/M
TS128GSSD25S-M
TS192GSSD25S-M

2.5" Solid State Disk

Table 3

Byte	Description
0	ECC fail number
1	Row address 3
2	Row address 2
3	Row address 1
4	Channel number of last ECC fail
5	Bank number of last ECC fail
6~7	Reserved

Table 4

Byte	Description
0	Average Erase Count (High Byte)
1	Average Erase Count
2	Average Erase Count (Low Byte)
3	Max Erase Count (High Byte)
4	Max Erase Count
5	Max Erase Count (Low Byte)
6~7	Reserved

Table 5

Byte	Description
0	Good Block Count (High Byte)
1	Good Block Count
2	Good Block Count (Low Byte)
3	System(Free) Block Count (High Byte)
4	System(Free) Block Count (Low Byte)
5	Reserved
6	Reserved
7	Reserved

TS8GSSD25S-S
TS16GSSD25S-S/M
TS32GSSD25S-S/M
TS64GSSD25S-S/M
TS128GSSD25S-M
TS192GSSD25S-M

2.5" Solid State Disk

STANDBY (E2h)

This command causes the device to set BSY, enter the Sleep mode (which corresponds to the ATA "Standby" Mode), clear BSY and return the interrupt immediately.

STANDBY IMMEDIATE (E0h)

This command causes the drive to set BSY, enter the Sleep mode (which corresponds to the ATA "Standby" Mode), clear BSY and return the interrupt immediately.

WRITE DMA (CAh)

Write data to sectors during Ultra DMA and Multiword DMA transfer. Use the SET FEATURES command to specify the mode value.

WRITE DMA EXT (35h)

48-bit feature set mandatory command. Write data to sectors during Ultra DMA and Multiword DMA transfer. Use the SET FEATURES command to specify the mode value.

WRITE DMA FUA EXT (3Dh)

48-bit feature set mandatory command. This command provides the same function as the WRITE DMA EXT command except that regardless of whether volatile and/or non-volatile write caching in the device is enabled or not, the user data shall be written to non-volatile media before command completion is reported.

WRITE FPDMA QUEUED (61h)

NCQ feature set mandatory 48-bit command. This command causes data to be transferred from the host to the device.

WRITE MULTIPLE (C5h)

This command is similar to the Write Sectors command. Interrupts are not presented on each sector, but on the transfer of a block which contains the number of sectors defined by Set Multiple command.

TS8GSSD25S-S
TS16GSSD25S-S/M
TS32GSSD25S-S/M
TS64GSSD25S-S/M
TS128GSSD25S-M
TS192GSSD25S-M

2.5" Solid State Disk

WRITE MULTIPLE EXT (39h)

48-bit feature set mandatory command. This command is similar to the Write Sectors command. Interrupts are not presented on each sector, but on the transfer of a block which contains the number of sectors defined by Set Multiple command.

WRITE MULTIPLE FUA EXT (CEh)

48-bit feature set mandatory command. This command provides the same functionality as the WRITE MULTIPLE EXT command except that regardless of whether volatile and/or non-volatile write caching in the device is enabled or not, the user data shall be written to non-volatile media before command completion is reported.

WRITE SECTOR(S) (30h/31h)

Write data to a specified number of sectors (1 to 256, as specified with the Sector Count register) from the specified address. Specify "00h" to write 256 sectors.

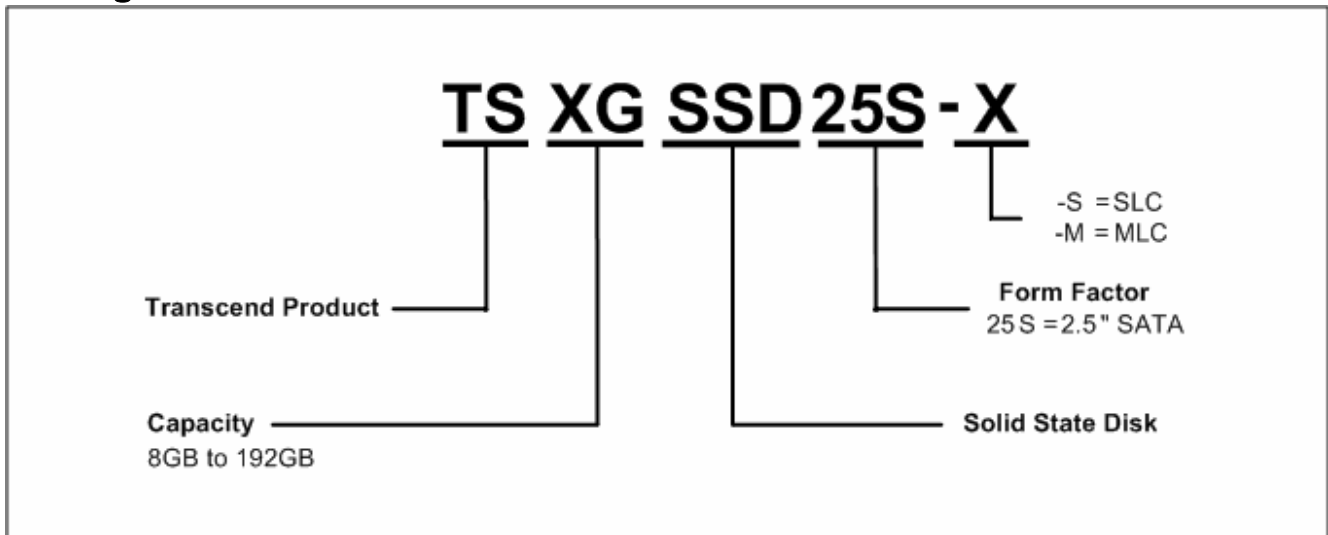
WRITE SECTOR(S) EXT (34h)

48-bit feature set mandatory command. Write data to a specified number of sectors (1 to 65536, as specified with the Sector Count register) from the specified address. Specify "00h" to write 65536 sectors.

TS8GSSD25S-S
TS16GSSD25S-S/M
TS32GSSD25S-S/M
TS64GSSD25S-S/M
TS128GSSD25S-M
TS192GSSD25S-M

2.5" Solid State Disk

Ordering Information



The above technical information is based on industry standard data and has been tested to be reliable. However, Transcend makes no warranty, either expressed or implied, as to its accuracy and assumes no liability in connection with the use of this product. Transcend reserves the right to make changes to the specifications at any time without prior notice.



TAIWAN

No.70, XingZhong Rd., NeiHu Dist., Taipei, Taiwan, R.O.C
TEL +886-2-2792-8000
Fax +886-2-2793-2222
E-mail: sales@transcend.com.tw
www.transcend.com.tw

USA

Los Angeles:

E-mail: sales@transcendusa.com

Maryland:

E-mail: sales_md@transcendusa.com

www.transcendusa.com

CHINA

E-mail: sales@transcendchina.com

www.transcendchina.com

GERMANY

E-mail: vertrieb@transcend.de

www.transcend.de

HONG KONG

E-mail: sales@transcend.com.hk

www.transcendchina.com

JAPAN

E-mail: sales@transcend.co.jp

www.transcend.jp

THE NETHERLANDS

E-mail: sales@transcend.nl

www.transcend.nl

United Kingdom

E-mail: sales@transcend-uk.com

www.transcend-uk.com

KOREA

E-mail: sales@transcend.kr

www.transcend.co.kr